



4-Port HDMI Extender/Splitter over CAT5e/6 with IR - 40M



G4-0022B

P/N: HDMIExt4P

Thank you for purchasing from gofanco. Our products aim to meet all our connectivity needs wherever you go. For optimum performance and safety, please read the instructions carefully and keep this User's Guide for future reference. If you need more information about our products, please visit www.gofanco.com.

For technical support, email us at support@gofanco.com.

For drivers or manual download, please go to www.gofanco.com/downloads.

Important Safety Notices

Please read safety instructions carefully before installation and operation.

- Please pay close attention to all warnings and hints for this device.
- Do not expose this unit to rain, heavy moisture, or liquid.
- Do not put any items into the device or attempt to modify its operation.
- Do not repair the device or open the enclosure without professional guidance to avoid electric shocks. Doing so may void your warranty.
- Keep the product in a well-ventilated location to avoid damage from overheating.
- Shut off power and make sure environment is safe before installation.
- Do not plug the HDMI cables and IR cables in/out when the device is in use to avoid cable damage. Make sure they are plugged into the correct ports.
- Use the included power adapters only. Make sure the specification matches if using 3rd-party DC power adapters.

Table of Contents

1. Introduction	4
2. Features	4
3. Installation Requirements	4
4. Package Contents	4
5. Product Layout	5
6. Specifications	9
7. Hardware Installation	10
8. Cat Cable Writing	11
9. Connection Diagram	12
10. IR Extenders	13
11. FAQ & Solutions	14
12. Disclaimer	15

1. Introduction

gofanco 4-Port HDMI Extender/Splitter over CAT5e/6 with IR - 40M (part# HDMIExt4P) extends HDMI signals to four monitors over Cat5e/6 up to 40m with 1080p.

2. Features

- Extends HDMI transmissions up to 40m (130ft) over CAT5e/6/7
- HDCP 1.2 compliant
- Supports 480i/480p/720p/1080i/1080p at 60Hz video resolutions
- Supports up to 7.1-channel or stereo digital audio

3. Installation Requirements

- HDMI source device (DVD player, set top box, PC, etc.)
- HDMI display devices (SDTV/Monitor, HDTV/ Monitor, projector, etc.)
- HDMI cables (not included)
- CAT cables (not included)

4. Package Contents

- 1x Transmitter
- 4x Receivers
- 5x Power adapters
- 1x IR Blaster extension cable
- 4x IR Receiver extension cables
- Screw kit
- User manual

5. Product Layout

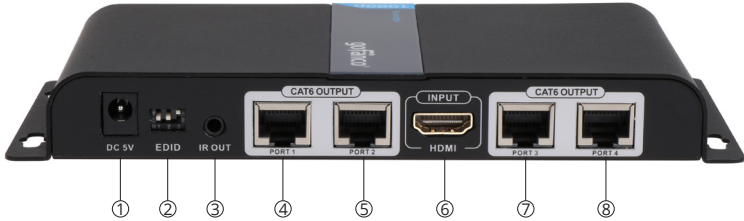


Figure 1: Transmitter (TX) Front Panel Layout







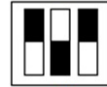
No.	Name	Function Description
1	Power Jack	Connect the included 5V/3A DC power adapter here
2	EDID	The HDMI source device reads EDID information from the TX unit, and outputs it to the RXs. Please refer to the settings on Page 6.
3	IR Out	Infrared 3.5mm socket. Plug IR Blaster extension cable here. See instructions on page 13.
4	RJ45 (1)	Link to Receiver 1's RJ45 via a Cat5e/6 cable
5	RJ45 (2)	Link to Receiver 2's RJ45 via a Cat5e/6 cable
6	HDMI In	Connect your HDMI source here with an HDMI cable (cable not included)
7	RJ45 (3)	Link to Receiver 3's RJ45 via a Cat5e/6 cable
8	RJ45 (4)	Link to Receiver 4's RJ45 via a Cat5e/6 cable

5. Product Layout (Continued)



Figure 2: Transmitter (TX) Rear Panel Layout

No.	Name	Function Description
1	Link LED	Turns red when powered. Turns blue when there is an HDMI signal detected
2	Reset	Press to reset if HDMI Extender doesn't work properly

EDID Setting	
Position	HDMI signal format
  <p>1 2</p>	1: 720p @50Hz (2-Ch) 2: 720p @50Hz (2-Ch)
 <p>3</p>	3: 720p @50Hz (7.1-Ch)
  <p>4 5</p>	4: 1080i @60Hz (2-Ch) 5: 1080i @60Hz (7.1-Ch)
  <p>6 7</p>	6: 1080p @60Hz (2-Ch) * 7: 1080p @60Hz (7.1-Ch)

5. Product Layout (Continued)

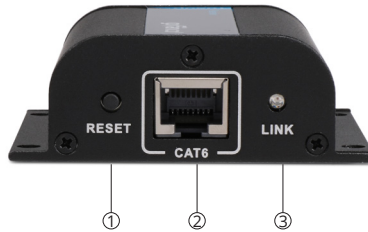


Figure 3: Receiver (RX) - RJ45 Input

No.	Name	Function Description
1	Reset	Press to reset if HDMI Extender doesn't work properly
2	RJ45	Link to the Transmitter's RJ45 via a Cat5e/6 cable
3	Link LED	Blinks when powered on. ON when the Cat5e/6 cable is connected/linked properly between the Transmitter and Receiver

5. Product Layout (Continued)

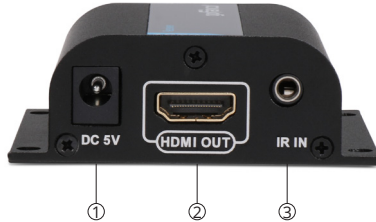


Figure 4: Receiver (RX) - HDMI Display Output

No.	Name	Function Description
1	Power Jack	Connect the included 5V/1A DC power adapter here
2	HDMI Out	Connect your HDMI display here with an HDMI cable (cable not included)
3	IR In	Infrared 3.5mm socket. Plug IR Receiver extension cable here. See instructions on page 13.

6. Specifications

Output Signal	HDMI
Protocol	HDbitT
Resolution	Up to 1080p
Transmission distance	Up to 40m (130ft)
Network Cable	CAT5e/6 (CAT6 recommended)
HDMI Cable	Up to 5m (Input & Output)
Power Supply	TX: DC 5V/3A, RX: DC 5V/1A
IR Signal	20~60KHz IR devices supported

7. Hardware Installation

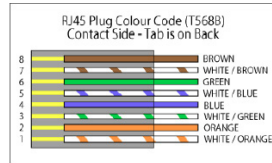
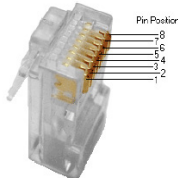
Note: To achieve optimal performance, CAT6 cable is recommended.

1. Power off all devices including your HDMI source and display.
2. Connect your HDMI source to the Transmitter's **HDMI IN** connector.
3. Optional: Connect the IR Blaster extension cable to the Transmitter's **IR Out**. Face the eye towards your HDMI device's IR window.
4. Connect your HDMI display to the Receiver's **HDMI OUT** connector with an HDMI cable (not included). Repeat this step for all Receivers.
5. Optional: Connect the IR Receiver extension cable to the Receiver's **IR In**. Repeat this step for all Receivers.
6. Switch the **EDID** according to your desired HDMI signal format. Refer to page 6 for details.
7. Connect and link the Transmitter and Receivers by CAT5e/6 cables.
8. Plug the included power adapters into the Transmitter's and Receivers' **Power Jacks**, then plug all power adapters into reliable power outlets.
9. Power on your HDMI device and HDMI displays.
10. The HDMI Extender is ready for use.

8. Cat Cable Wiring

We suggest both RJ45 connectors be wired identically using T568B wiring standard for the best performance and compatibility.

Both connectors must be wired identically, to T568B standard.



Note: You may use cat5e, cat6 UTP (cat6 preferred) in conjunction with the HDBiT output; however for best performance use cat6a or cat7 (particularly in electrically noisy environments). The maximum distances & transmission performance for HDMI and HDBT may be compromised by cable quality, patch panels, poor termination, wall plates, cable kinks and electrical interferences. Generally ensure the cat cable is solid copper core of 23AWG (avoid CCA type), in one straight run (avoid/minimise patches) and avoid close proximity to any noisy electrical sources.

9. Connection Diagram

Easily extends HDMI signals such as DVD players or computers to four remote displays simultaneously . An ideal solution for exhibitions, video conferences, show centers, and etc.

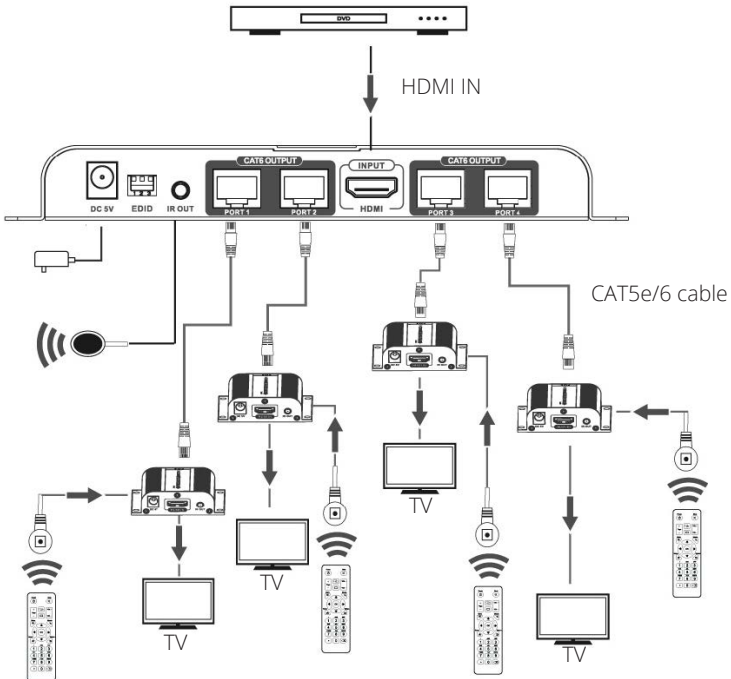


Figure 5: Connection Diagram

Note: When using the remote TV control, please make sure its distance to the IR Receiver extension cable is within 5 meters (16.4 ft) and without obstructions.

10. IR Extenders



Figure 5: IR Blaster
(Connect to Transmitter TX)



Figure 6: IR Receiver
(Connect to Receiver RX)

- **IR Blaster:** Plug into the Transmitter's IR 3.5 socket to emit IR signals.
- **IR Receiver:** Plug into the Receiver's IR 3.5 socket to receive IR signals from a remote control (for the HDMI device connected to the Transmitter).

Note: Incorrect placement of the IR Blaster and IR Receiver may result in failure of these cables. Please check carefully before plugging in the IR cables to proper IR sockets.

11. FAQ & Solutions

Q: There is no picture on the TVs:

- A: 1. Check whether the correct TV input is selected.
2. Check whether the “Link” LED on TX and RXs are on. If the RX’s Link LED blinks, it means the RX doesn’t receive signals from the TX.
3. Make sure the resolution of the input HDMI source is supported by this Extender/Splitter.

Q: There is unstable picture on the TVs:

- A: 1. Switch the “EDID” to the appropriate position, refer to page 6 for details.
2. Unplug the Cat5e/6 cable and plug in again. If the issue still exists, use other Cat5e/6 cables.

Q: Only one TV has image:

- A: 1. Make sure the CAT cables and HDMI cable are connected correctly and securely.
2. Press the “Reset” button on the TX to re-identify the HDMI signal.
3. Unplug the Cat5e/6 cable and plug in again.

12. Disclaimer

The product name and brand name may be registered trademarks of related manufacturers. TM and ® may be omitted on the user's guide. The pictures on the user's guide are just for reference, and there may be some slight differences with the actual products. We reserve the right to make changes without prior notice to a product or system described herein to improve reliability, function, or design.



Thank you for choosing gofanco

www.gofanco.com